

INSTALLATION GUIDE

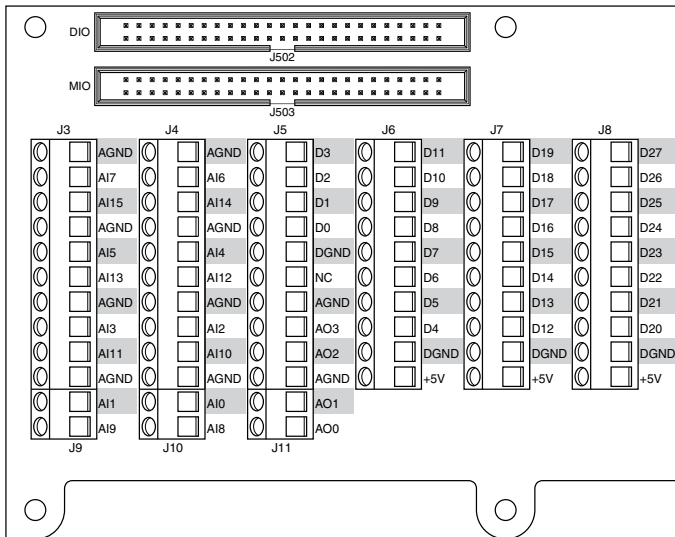
IDC Breakout Board

2 mm IDC Breakout Board for Single-Board RIO Devices

This document contains installation instructions for the IDC Breakout Board for sbRIO.



Caution NI makes no product safety, electromagnetic compatibility (EMC), or CE marking compliance claims for NI sbRIO devices. The end-product supplier is responsible for conformity to any and all compliance requirements.



Tip For 2 mm IDC header pinouts, refer to the documentation for your Single-Board RIO device on ni.com/manuals.

Installing the IDC Breakout Board

You can install the IDC breakout board directly to a Single-Board RIO device or to a Single-Board RIO/NI 9694 assembly.

What to Use

- IDC breakout board
- 50-pin IDC cables
- Single-Board RIO device (user provided)
- NI 9694 (optional)
- Mounting hardware (user provided)



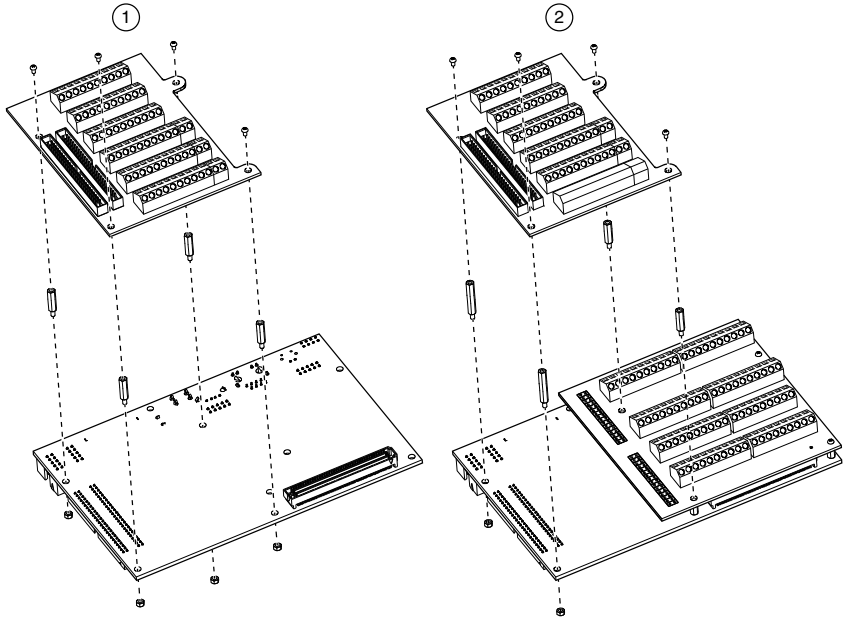
Note Mounting holes on the Single-Board RIO device are designed to accommodate M3 or 4-40 fasteners, and standoffs or bosses up to 4.5 mm or 3/16 in. in diameter.

What to Do

Complete the following steps to install the IDC breakout board.

1. Align the devices and secure the assembly using the mounting hardware.

Figure 1. IDC Breakout Board Installation



1. Installing directly to a Single-Board RIO device.
 2. Installing to a Single-Board RIO device/NI 9694 assembly.
-
2. Connect the MIO connector on the Single-Board RIO device to the MIO connector on the IDC breakout board and the DIO connector on the Single-Board RIO device to the DIO connector on the IDC breakout board using the 50-pin IDC cables.

Refer to the *NI Trademarks and Logo Guidelines* at ni.com/trademarks for information on National Instruments trademarks. Other product and company names mentioned herein are trademarks or trade names of their respective companies. For patents covering National Instruments products/technology, refer to the appropriate location: **Help»Patents** in your software, the `patents.txt` file on your media, or the *National Instruments Patent Notice* at ni.com/patents. You can find information about end-user license agreements (EULAs) and third-party legal notices in the readme file for your NI product. Refer to the *Export Compliance Information* at ni.com/legal/export-compliance for the National Instruments global trade compliance policy and how to obtain relevant HTS codes, ECCNs, and other import/export data. NI MAKES NO EXPRESS OR IMPLIED WARRANTIES AS TO THE ACCURACY OF THE INFORMATION CONTAINED HEREIN AND SHALL NOT BE LIABLE FOR ANY ERRORS. U.S. Government Customers: The data contained in this manual was developed at private expense and is subject to the applicable limited rights and restricted data rights as set forth in FAR 52.227-14, DFAR 252.227-7014, and DFAR 252.227-7015.

© 2015 National Instruments. All rights reserved.

375359A-01 Nov15